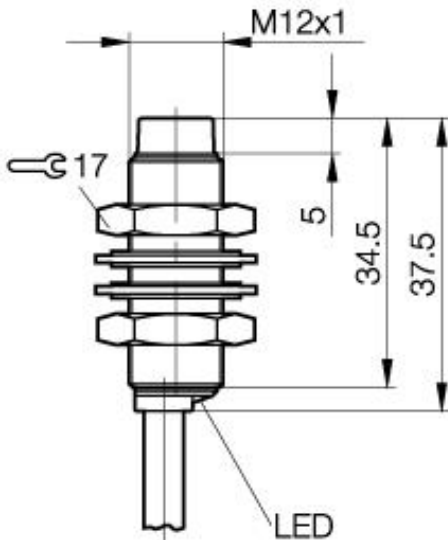


**Inductive Sensors**  
**BES 516-3019-E4-C-PU-05**  
**M12x1 x 37.5**  
**normally-closed**  
**Sn=4mm**  
**unshielded**



PX1260

**Common Data**

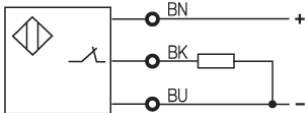
|                                |             |
|--------------------------------|-------------|
| Mounting in steel              | unshielded  |
| Rated operating distance Sn    | 4mm         |
| Assured operating distance Sa  | 0...3.2mm   |
| Repeatability R                | ≤ 5%        |
| Hysteresis                     | ≤ 15%       |
| Function indication            | yes         |
| Ambient temperature range      | -25...+70°C |
| Pollution Degree               | 3           |
| Time delay before availability | ≤ 10ms      |

**Mechanical Data**

|   |                       |
|---|-----------------------|
| Measurements BxHxT or DxT                       | M12x1 x 37.5mm        |
| Housing material                                | Nickel plated brass   |
| Material of sensing face                        | PA 12                 |
| Degree of protection                            | IP68 acc. BWN Pr 20IP |
| Connection                                      | Cable                 |
| Cable type                                      | LifY-Y-11Y-O          |
| Schock: Halfsinus, 30 gn, 11ms                  |                       |
| Vibration: 55 Hz, 1mm Amplitude, 3 x 30 Minutes |                       |

**Electrical Data**

|                                     |                 |
|-------------------------------------|-----------------|
| Current type                        | DC              |
| Wiring                              | 3-Wire          |
| switching function                  | normally-closed |
| Output signal                       | PNP             |
| Rated operational voltage           | 24 DCV          |
| Rated operational current           | 200mA           |
| Supply voltage                      | 10...30 DCV     |
| Ripple                              | ≤ 15%           |
| max. switching frequency            | 2000Hz          |
| No-load supply current              | ≤ 10mA          |
| Off-state current                   | ≤ 30μA          |
| Voltage drop                        | ≤ 2.0V          |
| Short circuit protection            | yes             |
| Protected against polarity reversal | yes             |



Utilization categories  
 Insulation class

DC 13

Datasheet number:

Definitions see general catalog.  
 If not otherwise noted, ratings according to  
 IEC 60947-5-2 (DIN EN60947-5-2)

Balluff GmbH  
 Schurwaldstrasse 9  
 73765 Neuhausen a.d.F.  
 Phone (07158) 173-0 Fax (07158) 5010

Datenblatt by CD-ROM - 04/2007

**BALLUFF**  
 sensors worldwide